

Profile system

- Frameless all-glass slide and turn system
- Option of flush or weathered bottom track
- Optionally with lateral aluminium panel profiles to close the ventilation gap
- The flush bottom track is particularly suitable for use in „Barrier-free dwellings“ according to DIN 18 025
- Panels can be stacked open either internally or externally
- Opening of panels by sliding to one side or to both sides
- Optionally with or without lateral vertical frame profiles
- Height variations can be compensated by a height compensation profile

Tests

- Measurement of deflection to DIN EN 12211/12210 (8, 10, 12 mm glass) with turn knob (standard)
- Measurement of deflection to DIN EN 12211/12210 (8, 10, 12 mm glass) with additional storm locking
- Deflection windload P1 +-800 Pa class 2 / P1 +-1600 Pa class 4
- Repeated pressure/wind suction P2 +-400 Pa class 2 / P2 +-800 Pa class 4
- Safety test P3 +-1200 class 2 / P3 +-2400 Pa class 4
- Measurement of deflection to DIN EN 12211/12210 (8, 10, 12 mm glass), with locking profil
- Repeated pressure/wind suction class 3 according to DIN EN 12211/12210 (8, 10 mm glass)
- Deflection windload P1 +-2000 Pa class 5
- Repeated pressure/wind suction P2 +-1000 Pa class 5
- Safety test P3 +-3000 class 5

Fittings

- All fittings are concealed within the profiles
- Low-maintenance, non-corroding and failsafe fittings
- Inside and/or outside locking and unlocking possible
- Locking and unlocking via turning knob
- Optionally with lever lock (“child-proof”)

Running assembly

- Top running, low-maintenance horizontal running assemblies, each equipped with two rollers
- The running assemblies feature each three smooth-running needle bearings and two carbon fibre reinforced polyamide rollers
- Running assemblies out of stainless steel metal components
- Low-noise, low-wear, heat and cold resistant running surfaces
- Running assemblies pivot at any angle between 90° and 180°

Sealing and ventilation

- Ventilation gap of approximately 1-4 mm
- Optionally with transparent PVC-gap gasket to close the ventilation gap
- Optionally with aluminium profiles to close the ventilation gap
- Brush gaskets are fitted horizontally at the top and bottom on the inside and outside
- Lower and upper brush gaskets are attached to the panel frames and not to the bottom track

Glazing

- 8, 10 and 12 mm tempered safety glass panes (ESG-H)
- Panes secured via concealed screw-fixing system in top and bottom panel profiles
- Subsequent replacement of panes without difficulty
- Subsequent replacement of panels without difficulty

Drainage

- Unpressurised drainage via inclined floor construction
- Integrated water drainage channel on inside of bottom track
- End-caps for lateral sealing of bottom track

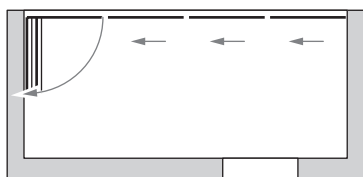


tested SUNFLEX quality

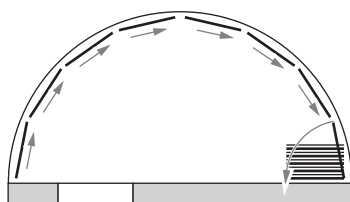


Test Report 20-31/13 and No.40-32/13

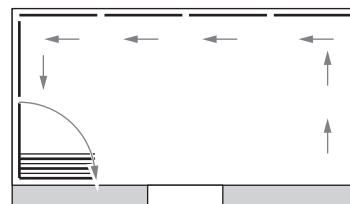
Straight Systems



Segmented Systems



Angle Solutions 90°-180°



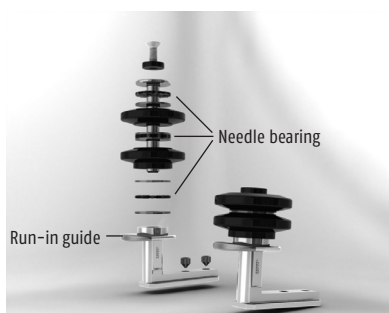
more special Systems on request



Standard



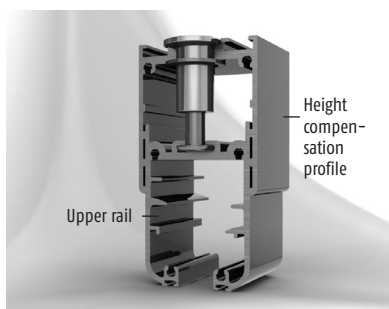
with PVC gap gasket



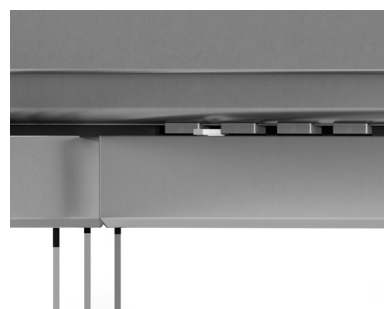
- Completely new, stainless carriage system
- Arched run-in guide



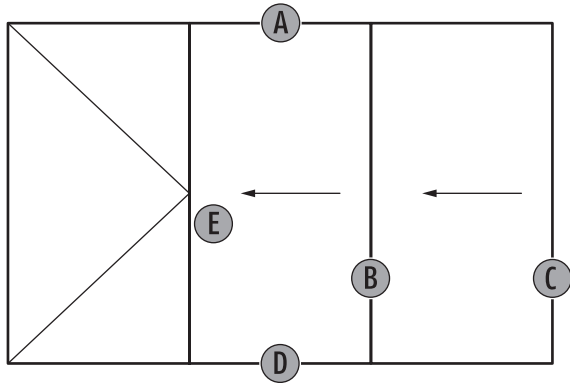
Turning knob



- Slightly arched running surfaces for carriage to improve running features
- Modified height compensation profile allows an adjustment of up to 22 mm

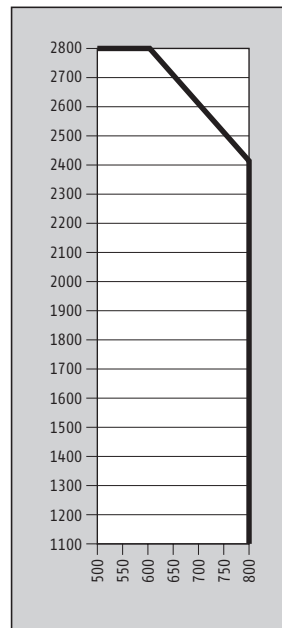


Optimal panel guidance without guide arm when opening and closing



Details at uneven panel partitioning in one direction

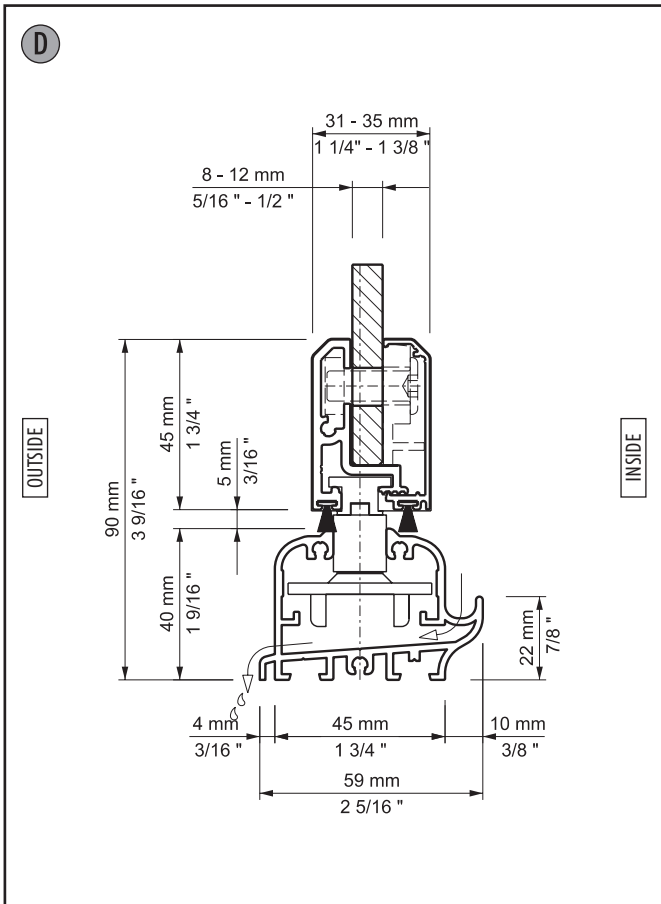
Panel size diagram



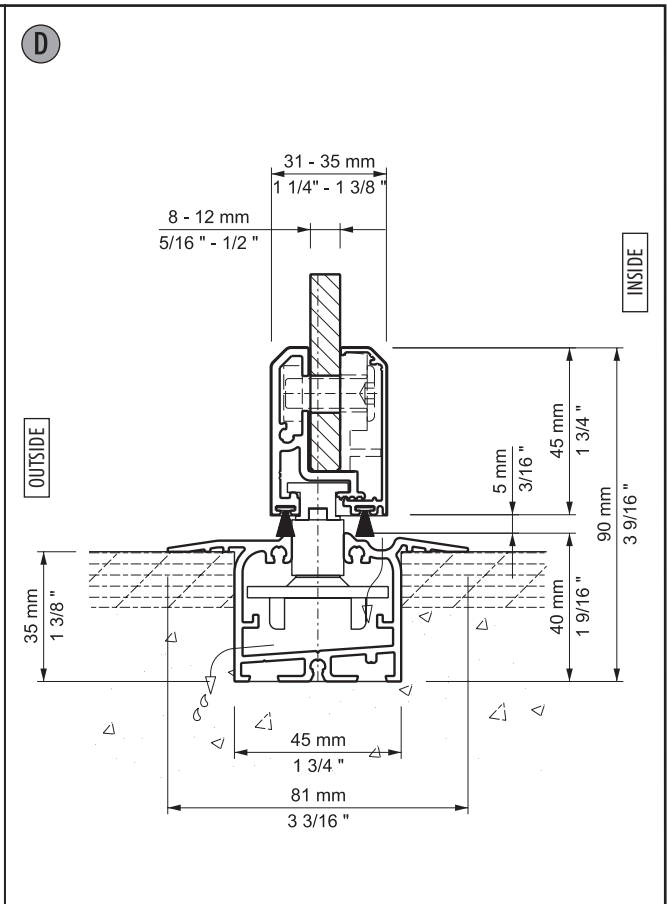
* For panel sizes exceeding 2600 mm – special inquiry

* Basis glazing 8 mm (25 kg/m²)

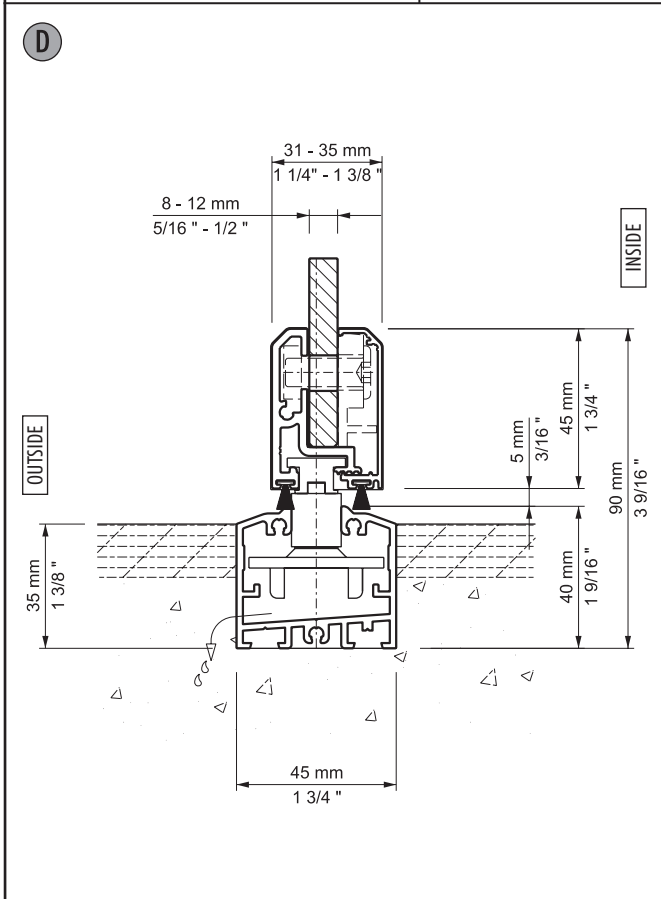
Ref.	Section	Description	Page
D	SF25-005	Vertical-Section, bottom track with gutter	4
D	SF25-007	Vertical-Section, flush bottom track	4
D	SF25-008	Vertical-Section, flush bottom track, squared	4
D	SF25-006	Vertical-Section, flush bottom track, rounded	4
D	SF25-012	Vertical-Section, bottom track on balustrade	5
D	SF25-011	Vertical-Section, bottom track on balustrade and strengthening profile	5
A	SF25-001	Vertical-Section, top track	5
A	SF25-002	Vertical-Section, top track with height compensations profile	5
A	SF25-003	Vertical-Section, height compensation profile with flange - horizontal	6
A	SF25-010	Vertical-Section, overhead light connection with height compensation profile	6
A	SF25-004	Vertical-Section, height compensation profile with flange - vertical	6
A	SF25-009	Vertical-Section, top track with height compensations profile, overhead light connection and strengthening profile	6
C	SF25-101a	Horizontal-Section, sidewise wall connection, rubber	7
C	SF25-101b	Horizontal-Section, sidewise wall connection, brush	7
C	SF25-101c	Horizontal-Section, sidewise wall connection, not flush	7
C	SF25-101d	Horizontal-Section, sidewise wall connection, flush	7
C	SF25-101e	Horizontal-Section, sidewise wall connection with vertical frame	8
B	SF25-102	Horizontal-Section, panel - panel	8
E	SF25-103a	Horizontal-Section, turn panel - panel	8
E	SF25-103c	Horizontal-Section, turn panel with locking profile - panel	8
C	SF25-104	Horizontal-Section, panel - panel 135°-bending	9
C	SF25-105	Horizontal-Section, panel - panel 90°-bending	9



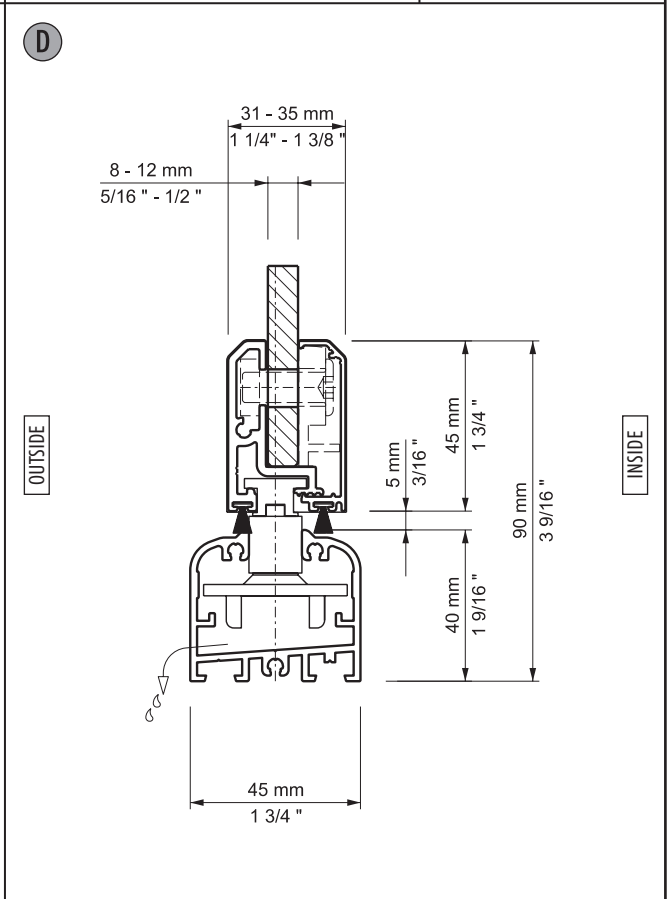
Description: Vertical-Section, bottom track with gutter
System: SF25
Detail-No.: SF25-005



Description: Vertical-Section, flush bottom track
System: SF25
Detail-No.: SF25-007

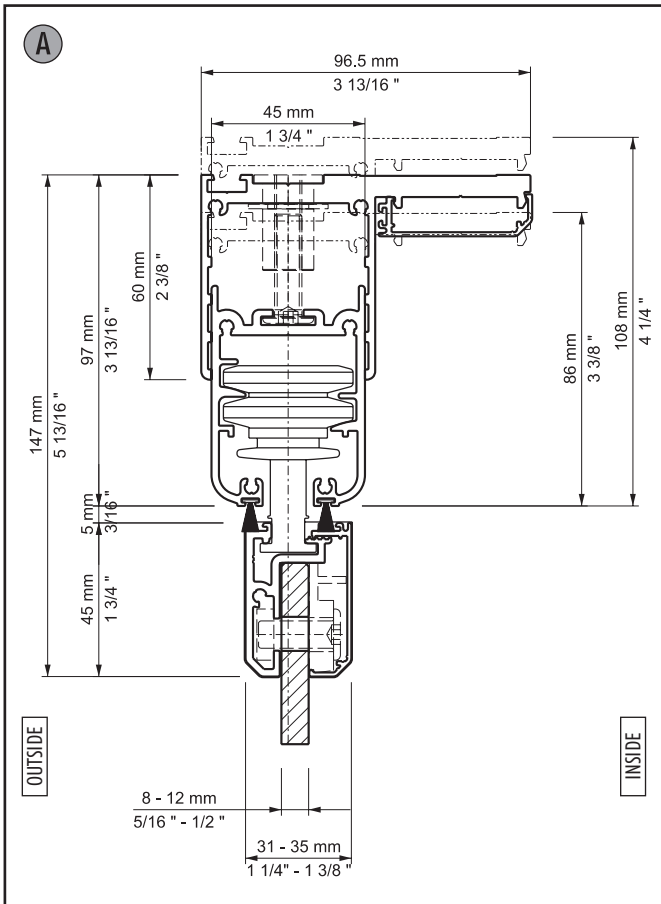


Description: Vertical-Section, flush bottom track, squared
System: SF25
Detail-No.: SF25-008

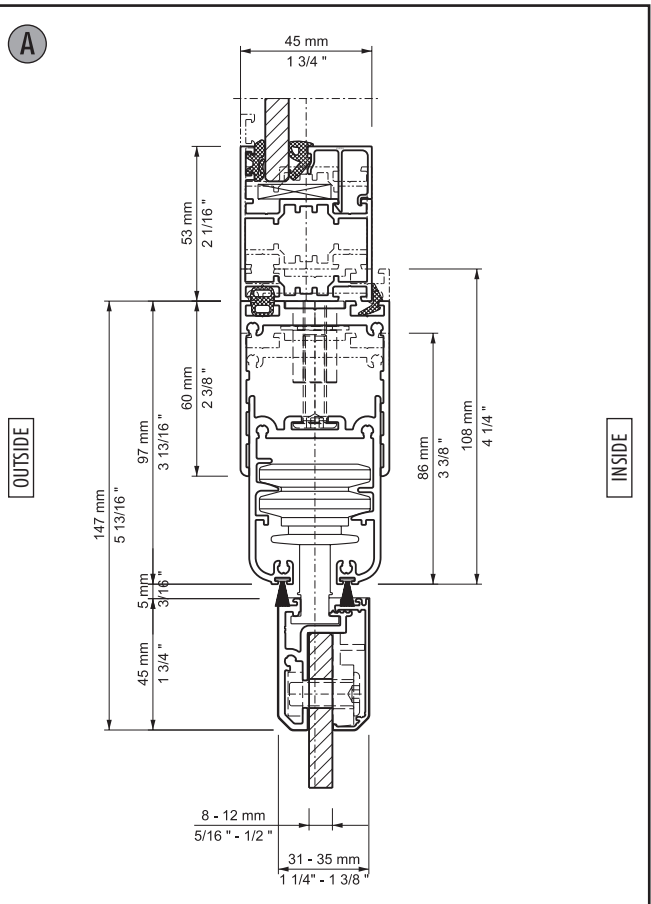


Description: Vertical-Section, flush bottom track, round
System: SF25
Detail-No.: SF25-006

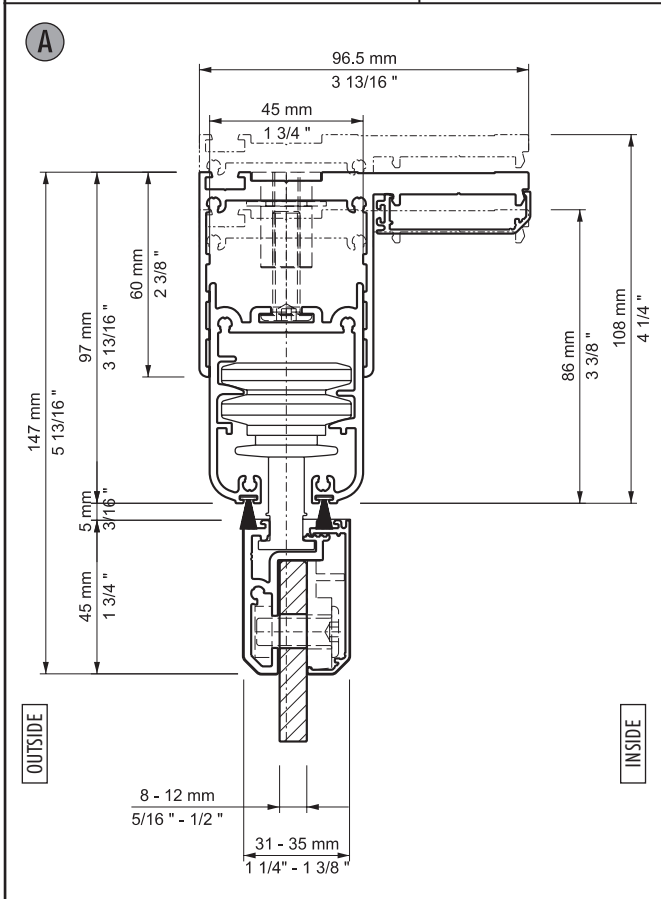
<p>D</p> <p>OUTSIDE</p>	<p>Description: Vertical-Section, bottom track on balustrade</p> <p>System: SF25</p> <p>Detail-No.: SF25-012</p>	<p>D</p> <p>OUTSIDE</p> <p>INSIDE</p>	<p>Description: Vertical-Section, bottom track on balustrade and strengthening profile</p> <p>System: SF25</p> <p>Detail-No.: SF25-011</p>
<p>A</p> <p>OUTSIDE</p> <p>INSIDE</p>	<p>Description: Vertical-Section, top track</p> <p>System: SF25</p> <p>Detail-No.: SF25-001</p>	<p>A</p> <p>OUTSIDE</p> <p>INSIDE</p>	<p>Description: Vertical-Section, top track with height compensa- tions profile</p> <p>System: SF25</p> <p>Detail-No.: SF25-002</p>



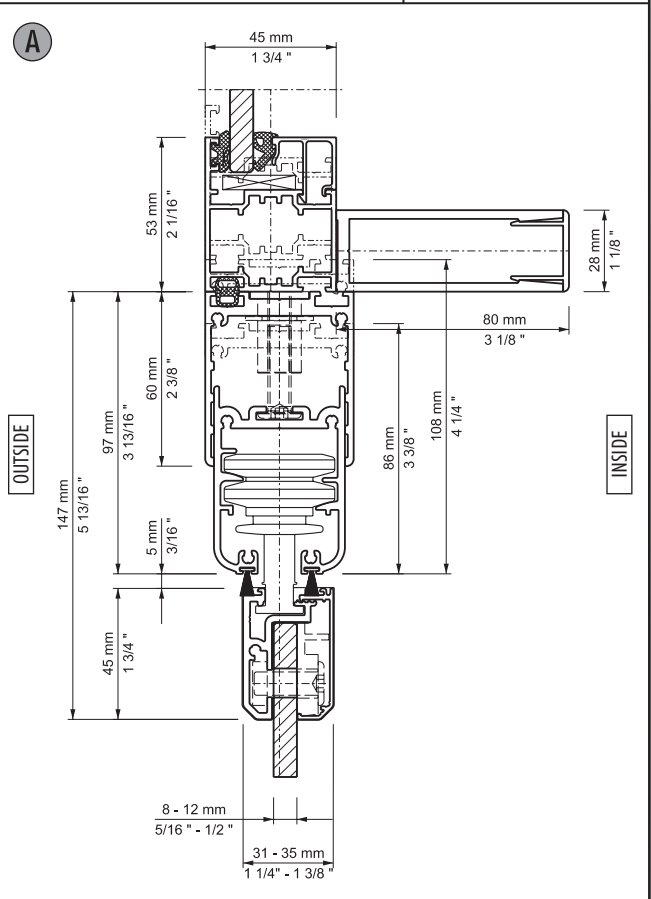
Description: Vertical-Section, height compensation profile with flange - horizontal
System: SF25
Detail-No.: SF25-003



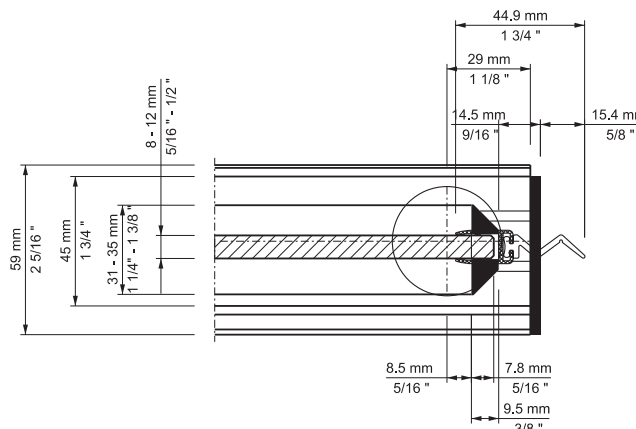
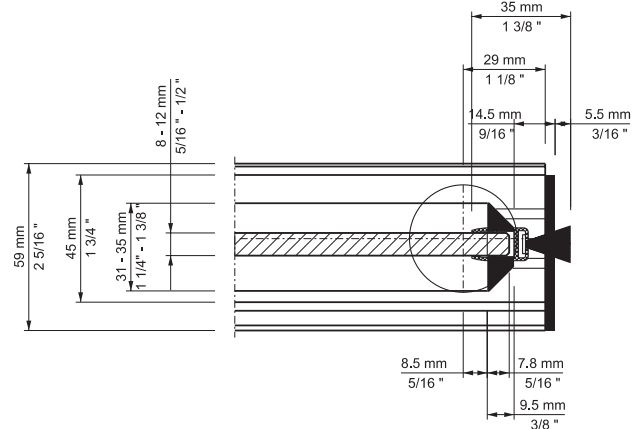
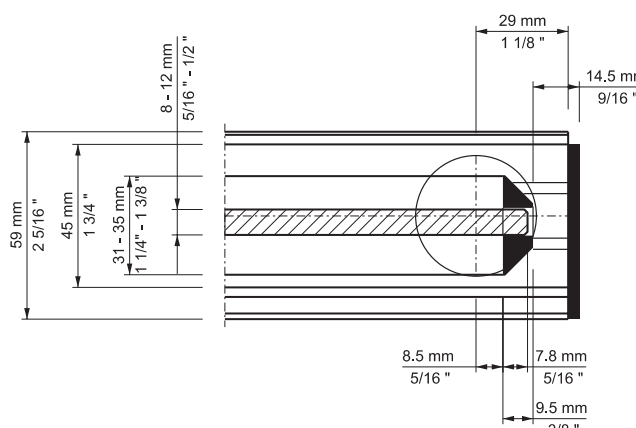
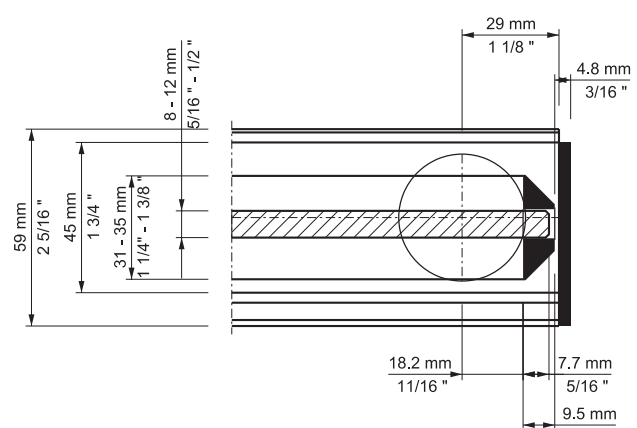
Description: Vertical-Section, overhead light connection with height compensation profile
System: SF25
Detail-No.: SF25-010

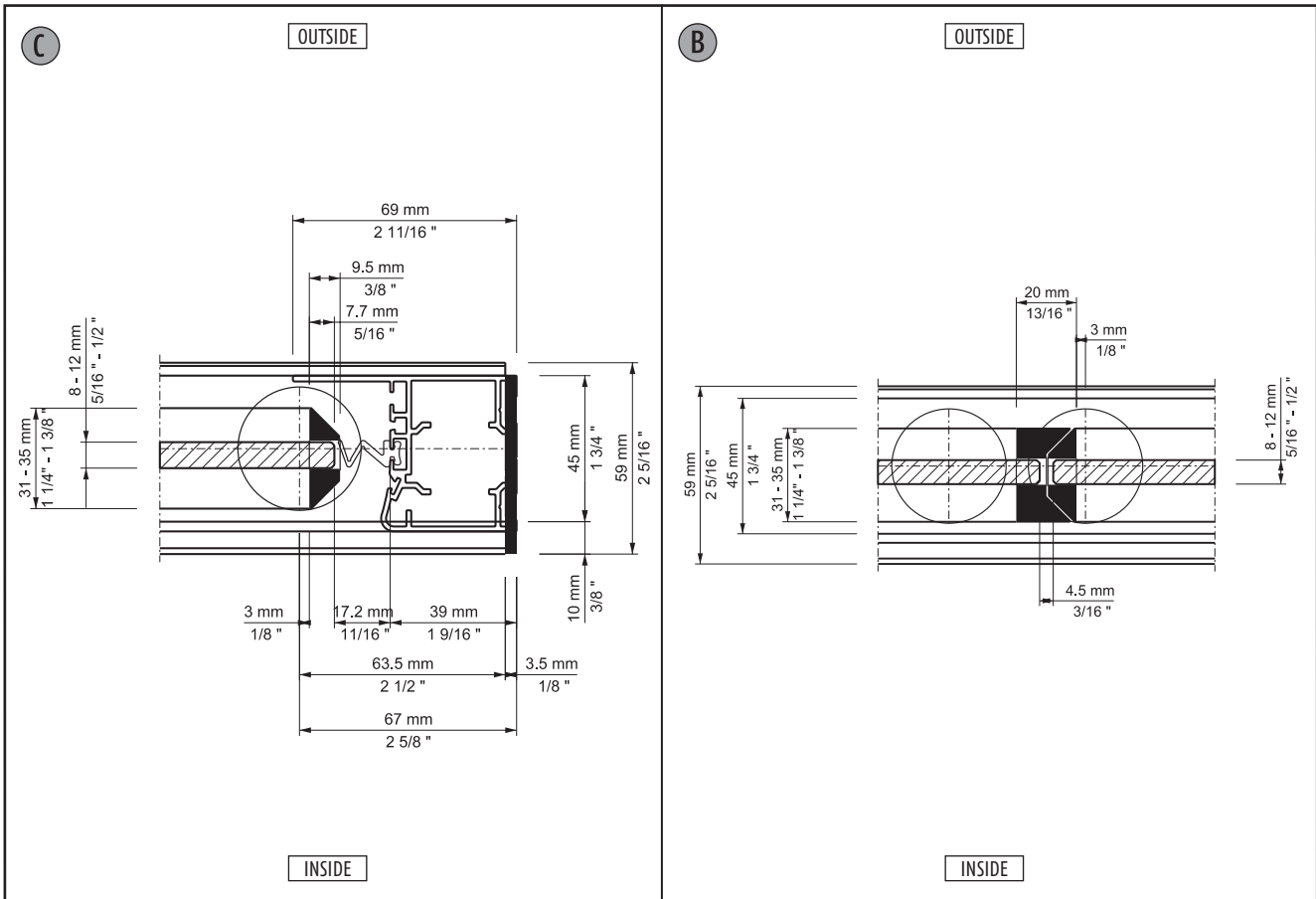


Description: Vertical-Section, height compensation profile with flange - vertical
System: SF25
Detail-No.: SF25-004

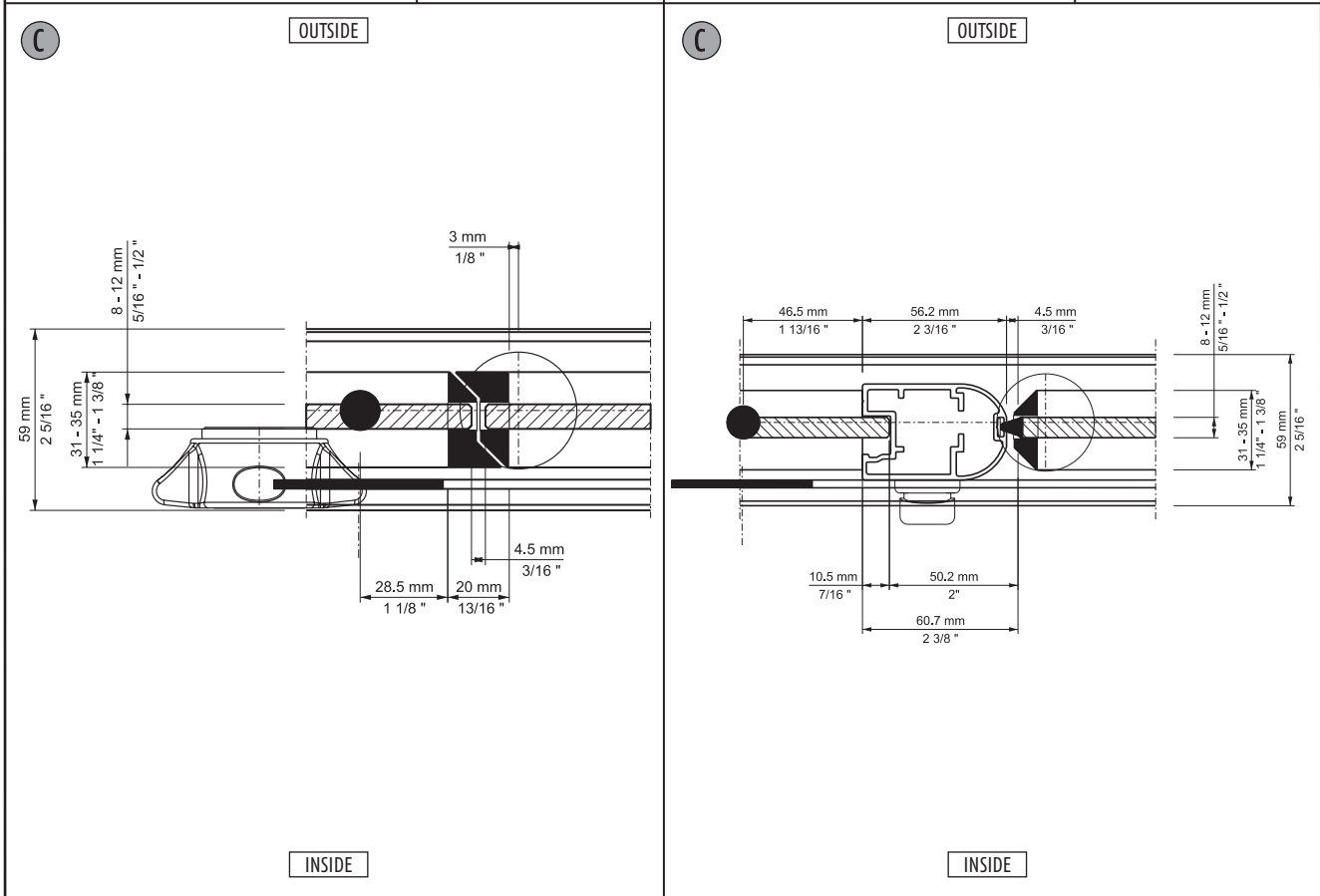


Description: Vertical-Section, top track with height comp. profile, overhead light conn. and strength. pro.
System: SF25
Detail-No.: SF25-009

<p>C OUTSIDE</p>  <p>INSIDE</p>	<p>C OUTSIDE</p>  <p>INSIDE</p>
<p>Description: Horizontal-Section, sidewise wall connection, rubber</p> <p>System: SF25</p> <p>Detail-No.: SF25-101a</p>	<p>Description: Horizontal-Section, sidewise wall connection, brush</p> <p>System: SF25</p> <p>Detail-No.: SF25-101b</p>
<p>C OUTSIDE</p>  <p>INSIDE</p>	<p>C OUTSIDE</p>  <p>INSIDE</p>
<p>Description: Horizontal-Section, sidewise wall connection, not flush</p> <p>System: SF25</p> <p>Detail-No.: SF25-101c</p>	<p>Description: Horizontal-Section, sidewise wall connection, flush</p> <p>System: SF25</p> <p>Detail-No.: SF25-101d</p>



Description: Horizontal-Section, sidewall connection with vertical frame	System: SF25	Description: Horizontal-Section, panel - panel	System: SF25
	Detail-No.: SF25-101e		Detail-No.: SF25-102



Description: Horizontal-Section, turn panel - panel	System: SF25	Description: Horizontal-Section, turn panel with locking profile - panel	System: SF25
	Detail-No.: SF25-103a		Detail-No.: SF25-103c

