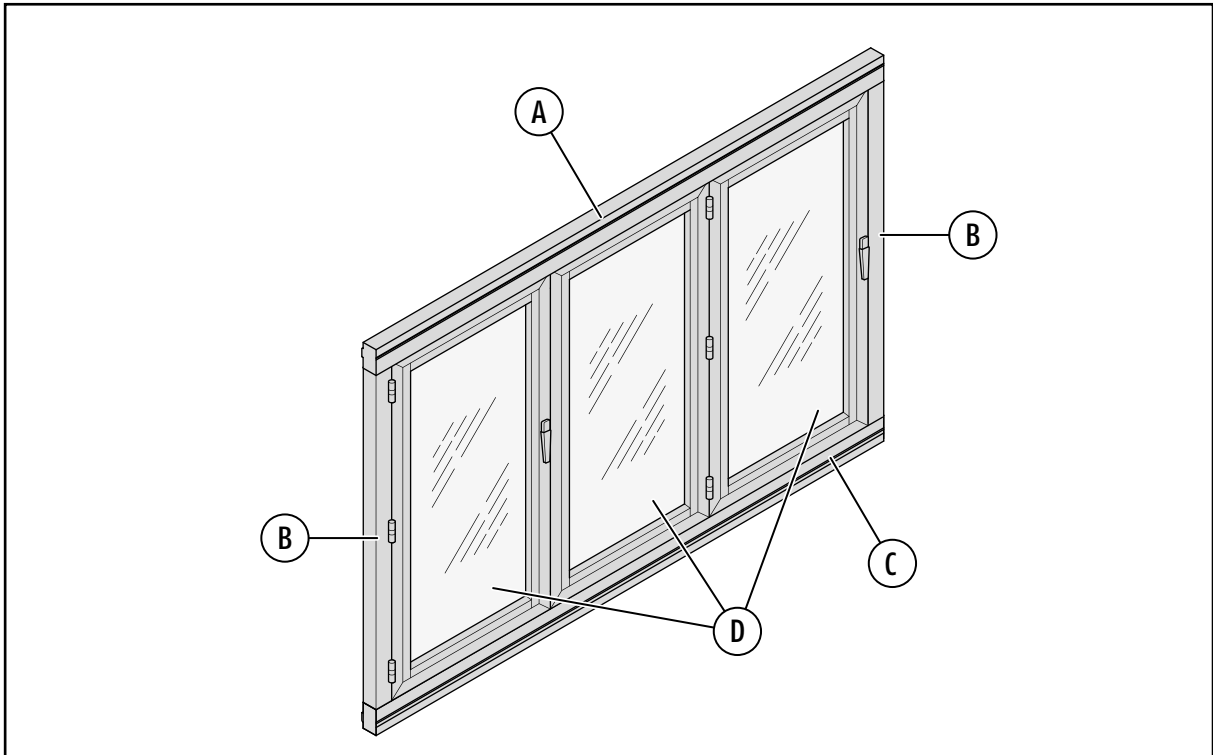


## Assembly instructions

SF 45 / SF 55e



### Scope of delivery:

- A. Top rail
- B. Vertical profile
- C. Floor rail
- D. Hinged panel, sliding panel
- Accessories pack

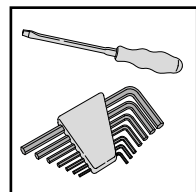
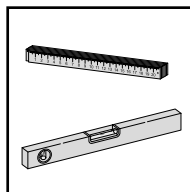
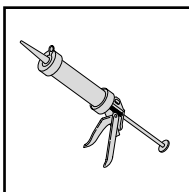
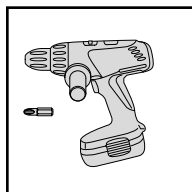
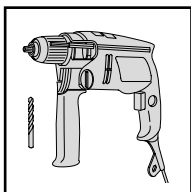
### Safety instructions:

These assembly instructions are specifically designed for the use of authorised specialists. Observation and implementation of the relevant safety regulations are a prerequisite.

### Symbols used:



### Tools required:



# Content

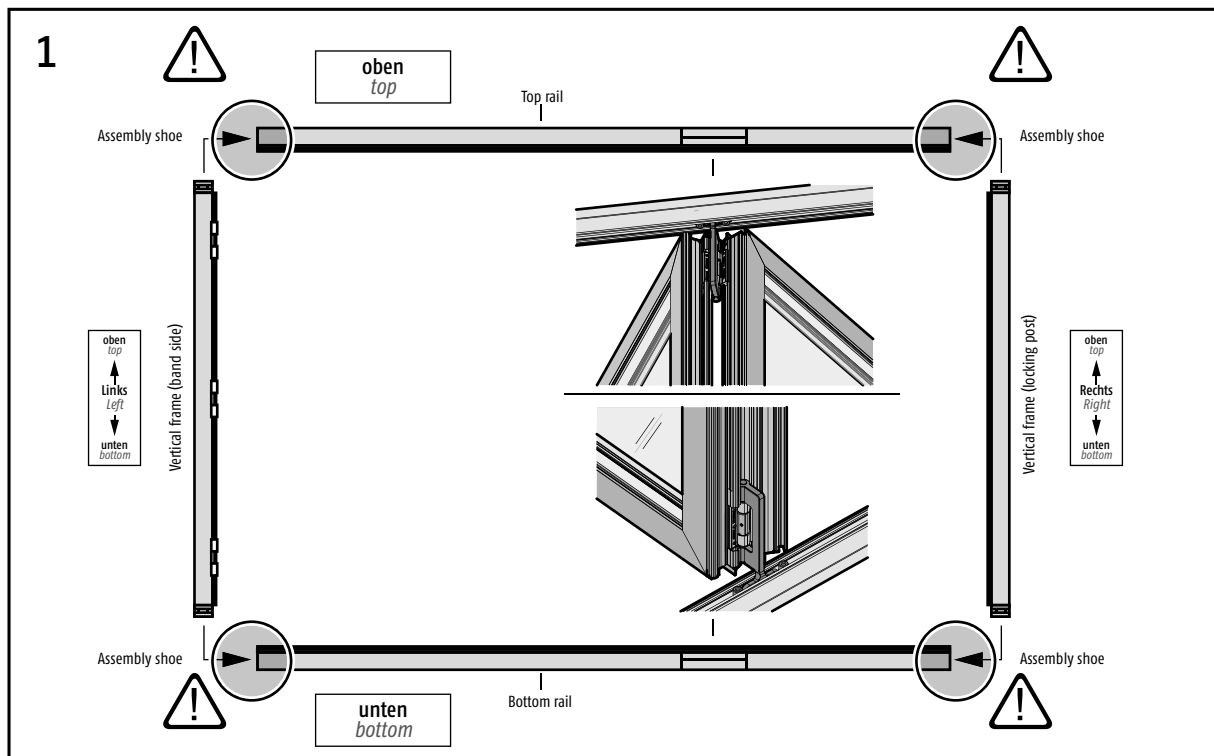
Description	Page
1. Assembly of door frame	2
2. Mounting of door frame	2
3. Fitting of panel	4, 5, 6
4. Adjustment	7
5. External foam sealing	7
6. Fitting of accessories	7



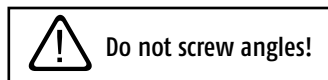
## Important:

After successful assembly the fitter must give instructions to the customer in order to avoid incorrect operation.

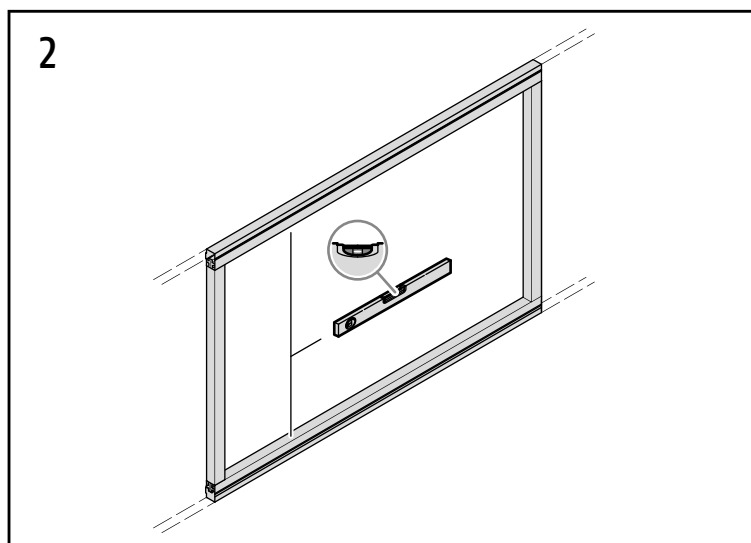
## 1. Assembly of the window frame



- Unpacking the supplied frame profile.
- The vertical profiles are marked "right" and "left" (viewed from the inside) on the wall side.
- Slide the guide rolls in to the top and bottom rail.
- The vertical profiles must be pushed flush into the guide rail.



## 2. Installation of the window frame



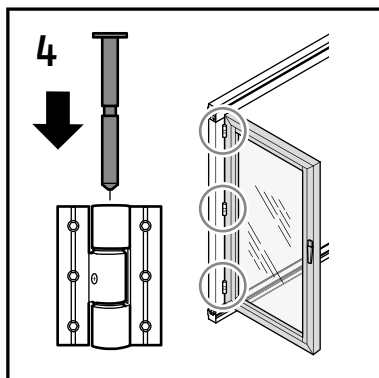
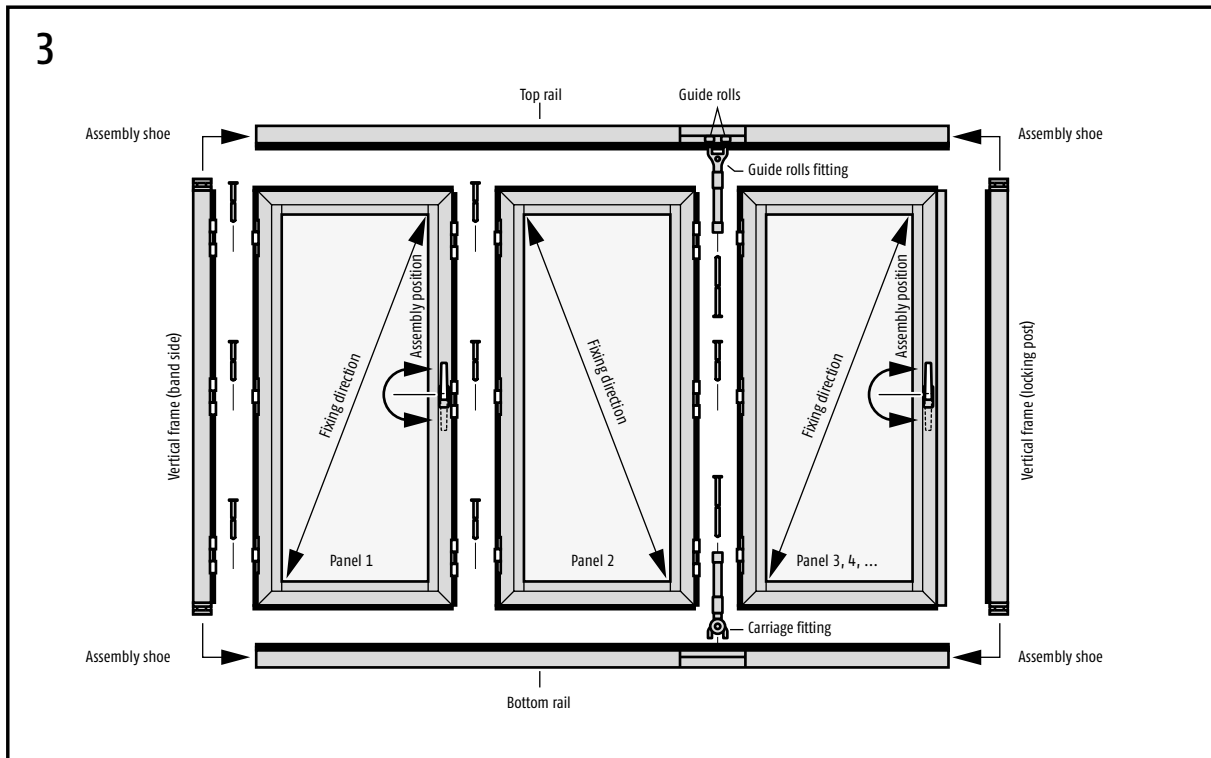
- Arrange window frame vertically.



- Determination of fixing points.
  - Approx 100-200 mm from external frame cover, distribute remainder at an interval of approx 300 – 400 mm.
  - The vertical assembly points are distributed evenly along the height.
- Support floor rail every 300 mm.
- Rectangle the alignment and wedging of the frame.
- Screw tight all profiles except for the locking posts.

- Place the frame in the building opening.

## 3. Fitting the panel

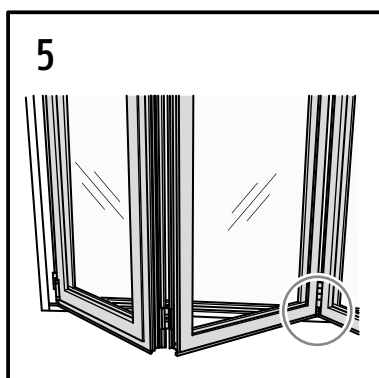


- Fit the first panel and secure with the hinge bolts provided (the panel are numbered at the top and bottom).

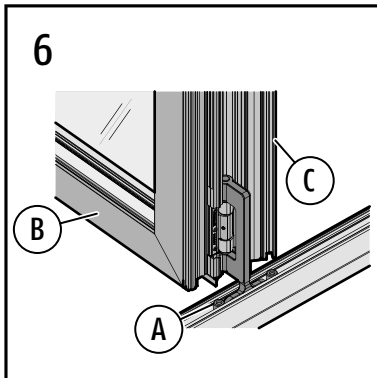


**Position of handle:**

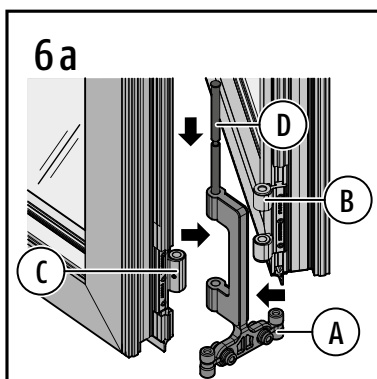
If the locking bar on the panel profile is firmly pushed in flush the handle always points upwards.



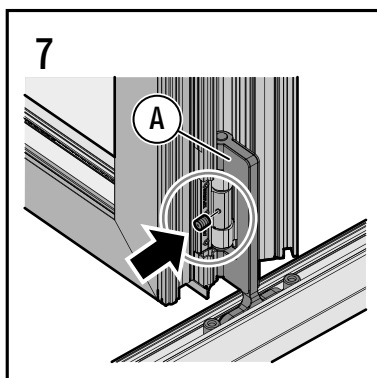
- The panels are supported in the marked area at panel 2 with 6 mm small glazing plates between panel and bottom rail, as a transit slopes of the panels to prevent it.



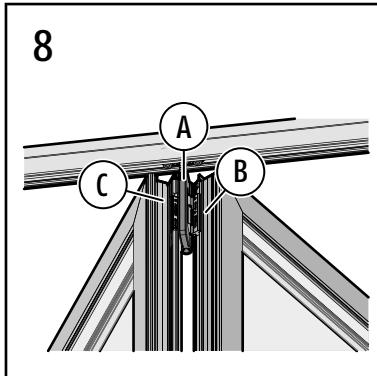
- Finished installation situation in the bottom part of the carriage fitting (A) area. Assembly sequence as shown in Fig. 6a.



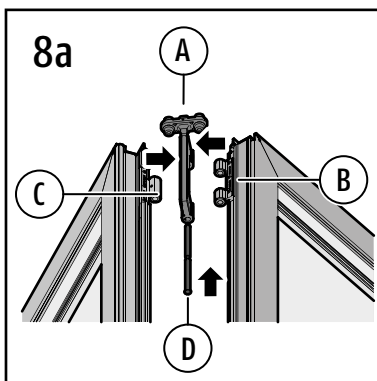
- Position the carriage fitting (A) and two-part hinge (B) with partially inserted bolt (D).
- Insert single-part hinge (C) and push the bolt (D) in down to the stopper.



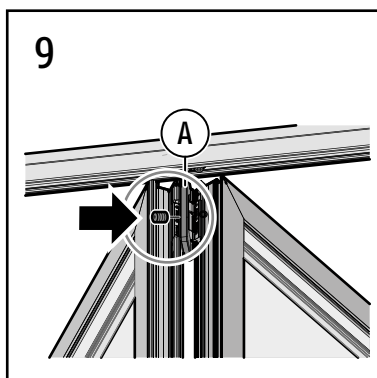
- All hinge bolts should now be secured with the supplied grub screws (A). The corresponding holes are in the integral hinge section. They are clearly visible when an element is open.



- Finished installation situation in the upper part of the guide rolls fitting (A) area. Assembly sequence as shown in Fig. 8a.

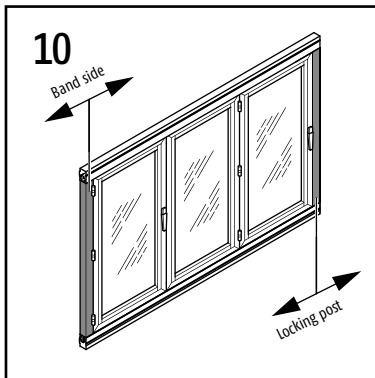


- Position the guide rolls fitting (A) and two-part hinge (B) with partially inserted bolt (D).
- Insert single-part hinge (C) and push the bolt (D) in up to the stopper.



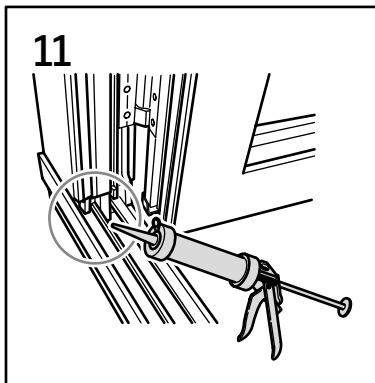
- All hinge bolts should now be secured with the supplied grub screws (A). The corresponding holes are in the integral hinge section. They are clearly visible when an element is open.

## 4. Adjustment



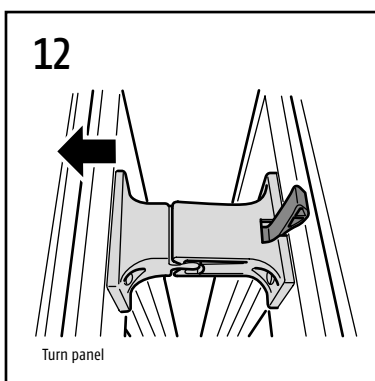
- The closure clearance is set by sliding the window frame locking post. When the locking post shows a constant (approx 5-6 mm wide) closure clearance with the panel, this can then be wedged and screwed in.
- For panel distribution left and right the closure is set by re-wedging of the band side vertical post.
- The adjustment bearing bolts permit the panel height within the picture frame to be adjusted. This can be easily adjusted in the mounted state with unlocked panels.

## 5. Foam sealant



The window frame corners must be fully sealed from the inside.

## 6. Accessory installation



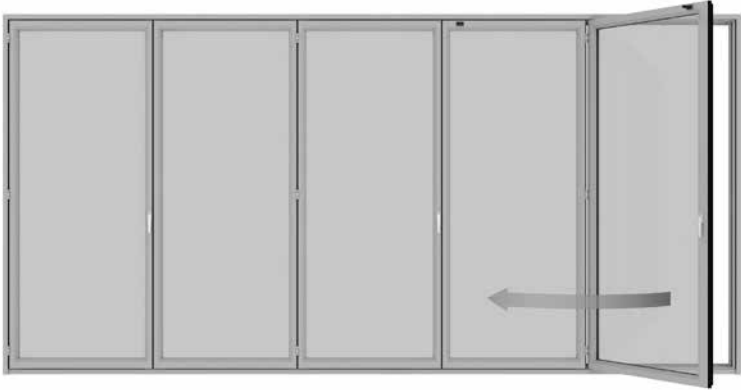
- Fit the supplied panel clips to the panel as shown in the illustration.
- To release, move panel packet from parking position. The trigger lock released when closing automatically.

The illustration shows the stop strip (swivel panel).

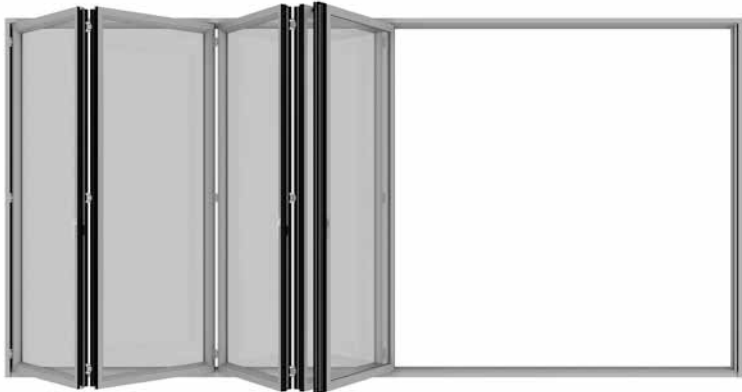




# Handling



Opening of the first panel



Folding of the connected elements



Parking of the folded panels

# Maintenance and servicing instructions

## General

External building parts are not only subject to the weather, but also increased stress caused by smoke, industrial fumes and aggressive airborne dust. In conjunction with rain and dew, deposits of these substances may affect the surface and change the appearance. External parts must therefore be cleaned (at least twice annually or more frequently depending on the degree of contamination) to avoid possible settling of deposits. The sooner you remove dirt from the surface, the easier it is to clean. Observe the safety instructions and instructions for use of the respective servicing and cleaning products. When cleaning do not use a material with an unknown composition. If you are not certain about the effect of the cleaner, then test it first by cleaning a visually unimportant, non-exposed portion of the component.

## Fittings

All fittings must be regularly checked for tightness and wear. Attachment screws must be tightened and defective parts replaced as required. In addition, at least once a year, all moving and sliding fittings must be lightly greased with fitting grease. Only servicing and cleaning agents that do not affect the corrosion protection of fittings should be used.

## Glass surfaces

Dirty glass surfaces can be cleaned using water and a sponge or cloth, etc. Commercially available non-abrasive glass cleaners (such as Ajax, Pril, etc.) can be added to the water. Stubborn stains such as paint or tar splashes should be removed with methylated spirits or white spirit.

### Caution!

Do not use alkaline caustic solutions, acids, and fluoride-containing detergents to clean glass surfaces.

### Caution!

A suitable protective film should be used to protect the glass surface against mortar spattering, cement slurry, sparks or weld spattering from partitioning screens and stone-facade acidic-cleaner..

## Seals

All seals must be cleaned and lubricated at least once a year to ensure good functioning. For this purpose we recommend the use of a seal care product. The care product maintains the suppleness of the seal, thus preventing premature brittleness. Ensure that the seals are not damaged and do not come into contact with solvent materials.

## Aluminium surfaces

Anodizing and powder coating is a highly durable and decorative finishing for aluminium components. To maintain the decorative appearance of such components for decades, the surfaces need to be regularly maintained by means of cleaning twice a year.

## Cleaning anodized surfaces

Cleaning of the surfaces must not take place in direct sunlight, the surface temperature must not exceed 25°C. Use only neutral pH cleaners such as normally diluted washing up liquid. Abrasive or scouring materials must not be used to clean heavily soiled, anodized surfaces – cleaning pastes are available.

## **Cleaning powder-coated surfaces**

In the same way as for anodized elements, cleaning must be carried out whilst cold (maximum of 25 °C surface temperature). In this case also, use only pH-neutral material. Solvent-based cleaners attack the surface of the powder coating and, like scouring or abrasive cleaners, should not be used. To remove stubborn fat and greasy dirt we recommend aroma-free methylated spirits. This must only be applied for a short time and then rinsed off with clean water. In addition, we recommend treatment with car wax to leave a water-repellent film. Check on a non-exposed area whether the material used has an adverse effect on the shine.

## **Wood surfaces on wood/aluminium elements**

For the cleaning of internal wood surfaces it is best to use mild detergent such as dilute detergent and soap suds. Since the internal wood surfaces are not subject to wear and weathering by rain and sun light, painting is not required. Avoid abrasive, corrosive and solvent-based cleaners. Use only soft cloths to avoid scratching the paint surface. Window cleaners contain small traces of alcohol and ammonium chloride. These materials are very suitable for cleaning the glass as well as the wood-frame sections. After cleaning, dry the wood profiles with a dry, soft cloth, because extended exposure to alcohol can soften the paint surface.

SUNFLEX Aluminiumsysteme GmbH  
Im Ruttenberge 12  
D-57482 Wenden-Gerlingen  
Tel.: +49 (0) 2762 / 9253-0  
Fax: +49 (0) 2762 / 9253-280  
info@sunflex.de

**SUNFLEX** 